



# SCITECX LAB AB

Suitable for PLC control



## MICROBIOLOGICAL AIR SAMPLER

FIXED INSTALLATION version

Validated according to EN 17141 and ISO 14698 by an external independent laboratory



► **Innovative low contamination design**

► **Made in stainless steel**

\* More than 90% of its weight is fully recyclable



Scitecx Lab AB

EMAIL: [info@scitecx.com](mailto:info@scitecx.com) / [order@scitecx.com](mailto:order@scitecx.com)

[Luftprovtagare.se](http://Luftprovtagare.se)

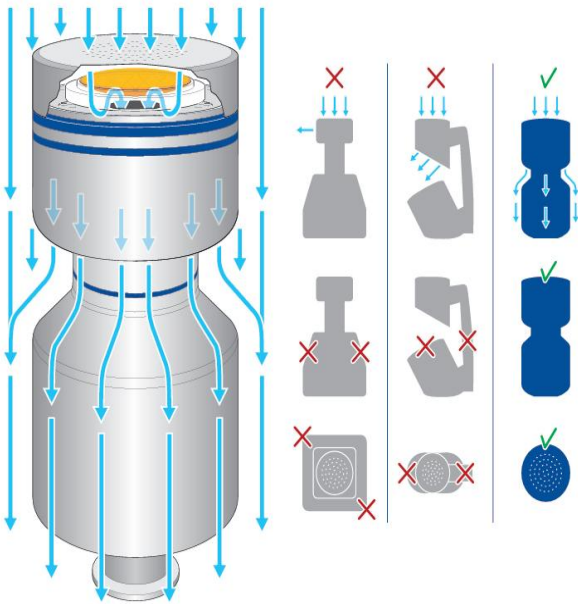


# SCITECX LAB AB

## Unique features

### SUITABLE DESIGN FOR LAMINAR FLOWS

- ▶ Screw-less design for easy cleaning and minimizing contamination
- ▶ Air exhaust parallel to the sampling path
- ▶ No turbulence generated
- ▶ Brushless motor
- ▶ Compact size



## Remote control

### SIMPLIFIED

- ▶ START / STOP command
- ▶ Status report (RUN / STOP / ERROR) via NO / NC contact

### ADVANCED

- ▶ Advanced controls via MODBUS RTU (optional MODBUS TCP/IP or PROFIBUS)

## Technical specifications

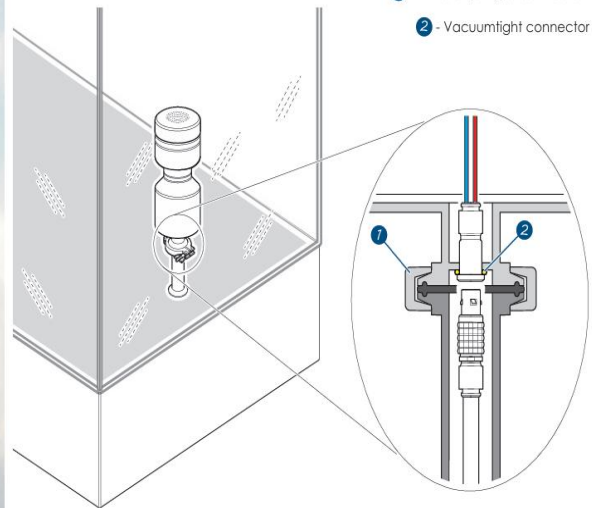
### SAMPLER

- ▶ 316L grade stainless steel body
- ▶ 24 Vdc power supply (12 Vdc optional)
- ▶ Sampling flow rate up to 180 l/min.
- ▶ Models for Petri 90mm or Contact 55mm



## Simple installation

- 1 - "Tri-clamp" type connection
- 2 - Vacuumtight connector



Scitecx Lab AB

EMAIL: [info@scitecx.com](mailto:info@scitecx.com) / [order@scitecx.com](mailto:order@scitecx.com)

[Luftprovtagare.se](http://Luftprovtagare.se)